

HOT START RELAY

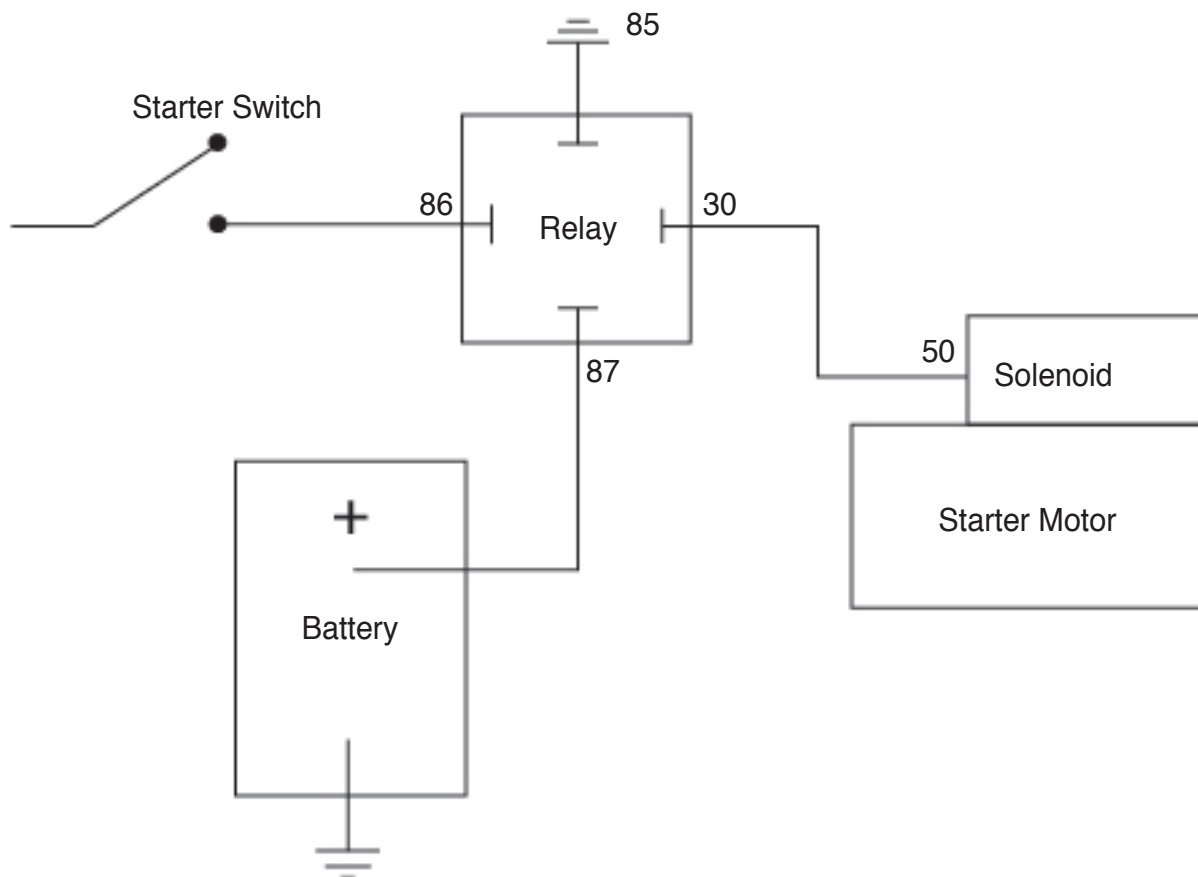
FITS ALL 12V VEHICLES

JK part number: J12928

FITTING GUIDE

1. Mount the relay in a safe place as close to the starter as possible.
2. Take the wire from terminal 50 on the solenoid and extend it with 28/0.30 gauge wire. Connect this extension to terminal 86 on the relay.
3. Take a 28/0.30 wire from terminal 85 on the relay to a good earth on the vehicle body/chassis.
4. Take a 65/0.30 wire from terminal 87 to the live terminal of the battery.
5. Take another 65/0.30 wire from terminal 30 on the relay back to terminal 50 on the starter solenoid.

NOTE: It is advisable to always disconnect the vehicles battery before carrying out any work on the electrical system.



N.B. Whilst every attempt is made to ensure that these instructions are as accurate and clear as possible, we cannot be held responsible for misinterpretation of these instructions or for any subsequent accident or damage caused through mis-fitted parts.